

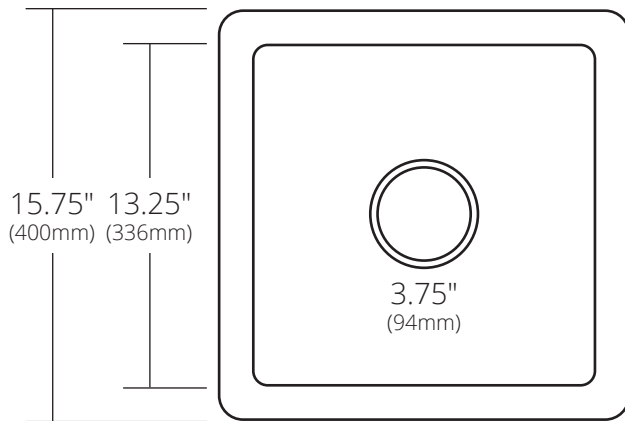
SPECIFICATIONS

**REVELER**

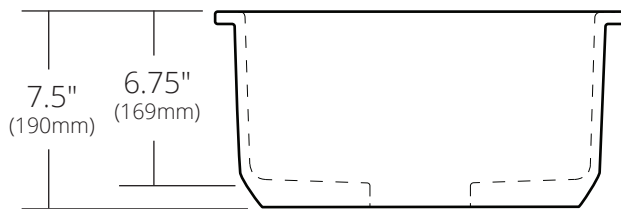
Precious Metals Collection



TOP VIEW



SIDE VIEW



PMB1515-G 24k Matte Gold  
 PMB1515-P Platinum  
 PMB1515-S Silver

**PRODUCT DETAILS**

- 15.75" x 15.75" x 7.5" OD (400mm x 400mm x 190mm)
- 13.25" x 13.25" x 6.75" ID (336mm x 336mm x 169mm)
- 3.75" (94mm) drain opening
- Fireclay with precious metal glaze
- Protected with exclusive, custom formulation sealer for ultimate durability

**INSTALLATION**

- Undermount
- Install with negative reveal or flush mount

**COORDINATING PRODUCTS**

- Drains: DR320 or DR340
- Bottom Grid: GR934
- UK1426 Undermount Kit

**STANDARDS COMPLIANCE**

- UPC/cUPC compliant

**IMPORTANT**

Due to the handcrafted nature of this product, dimensions may vary up to 1/2" (13mm). We strongly recommend waiting for the actual product before making any installation cuts.